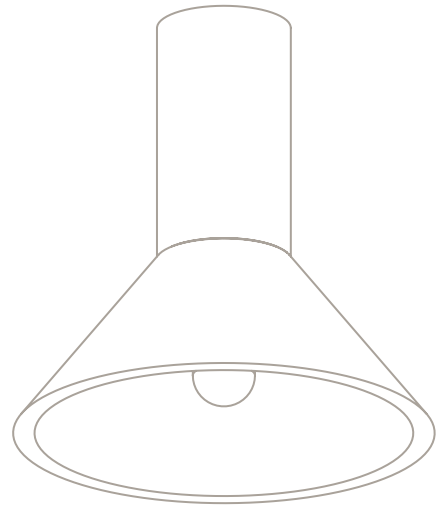
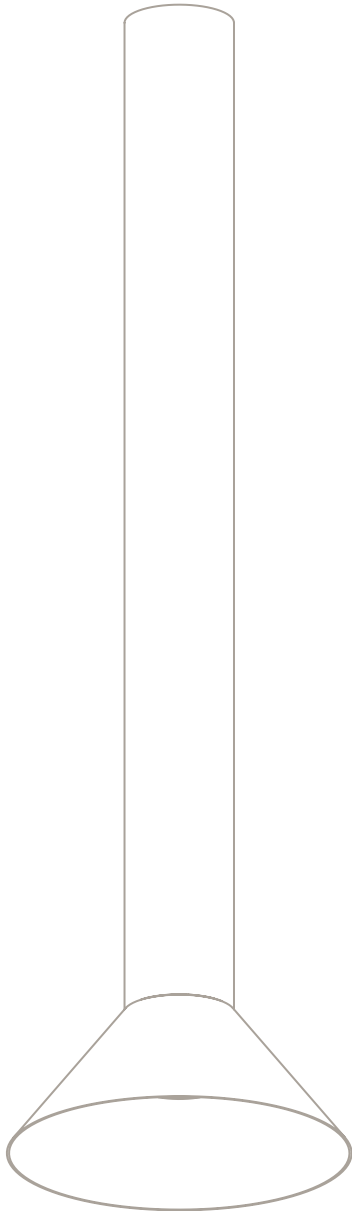


TORRES FLUSH PENDANT IP20 & IP44

Installation Guide



!

Please handle with care and wear gloves at all times during assembly and installation to avoid damaging components.

TECHNICAL

Bulb Holder
GU10 (IP20) or G9 (IP44)
(Depending on order)

Wattage
GU10 , 9.6w LED 2700k
or
G9, 5W 2700k

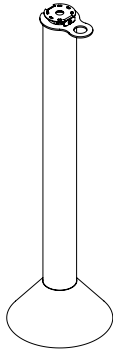
Weight
Short: 3kg (6.6lbs)
Long: 6kg (13.2lbs)

PARTS & COMPONENTS

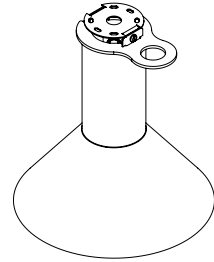
- 230V
A. Long Body fixture
B. Short Body fixture
110V
C. US Junction box Mounting plate
D. US Junction box cover plate
E. M4 screws x2

NOTE: Shade could be in either Brass or Alabaster, depending on order.

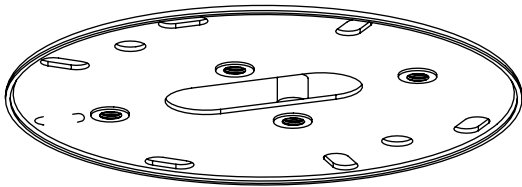
A.



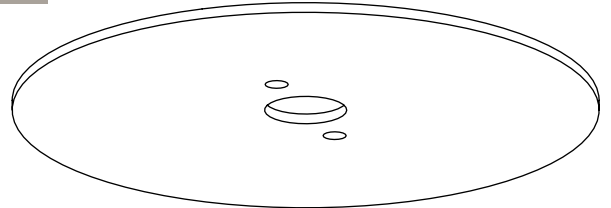
B.



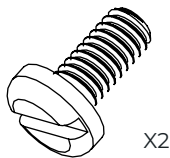
C.



D.



E.

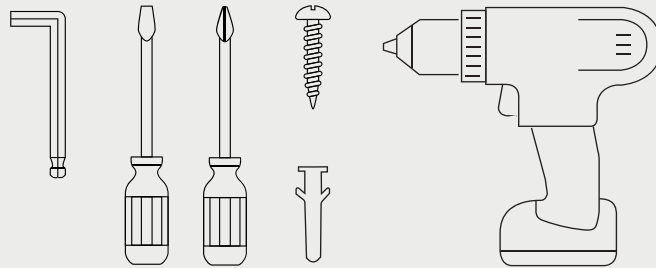


- All nuts and bolts required for the installation will be included in the delivery.



BEFORE INSTALLATION

- Check that you have all components before starting the installation.
 - Installation must be carried out by a qualified electrician.
 - A minimum of two people is required to install a pendant light.
- Check that the ceiling or wall fixings are suitable and strong enough to support the weight of the light fixture.
 - You will need the below specific tools for a successful installation.



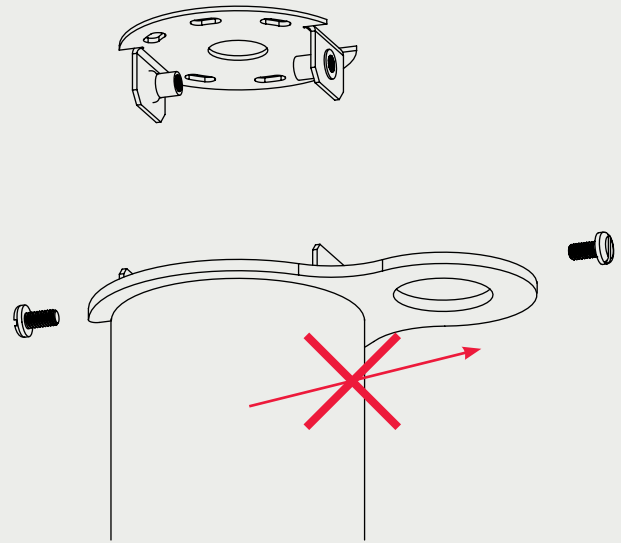
If the external flexible cable or cord of this luminaire is damaged, it shall be exclusively replaced by the manufacturer or his service agent or a similar qualified person in order to avoid a hazard.

240V

1. Remove the wall bracket from the fitting by removing the two screws located on either side.

NOTE:

Do not pull on the clear tab holding the fixing mechanism.

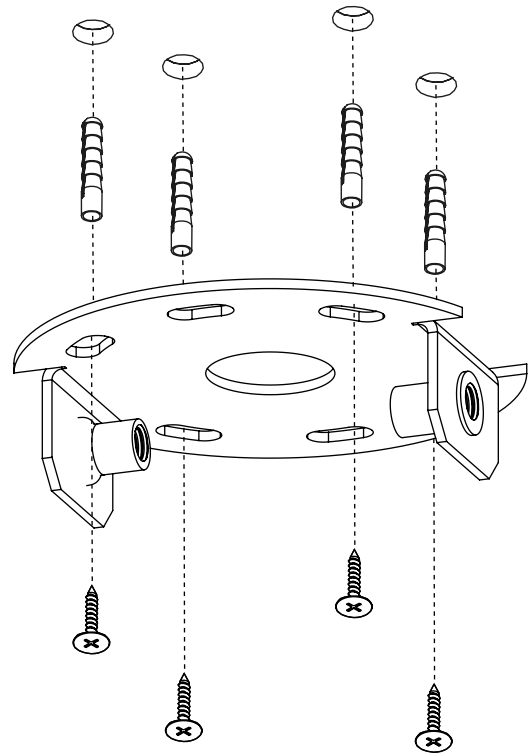


2. 1. Securely fix the mounting plate to the ceiling using 4 x screws suitable for the surface you are mounting to (not supplied).

Ensure that the mains cable is centred with the hole in the middle of the plate.

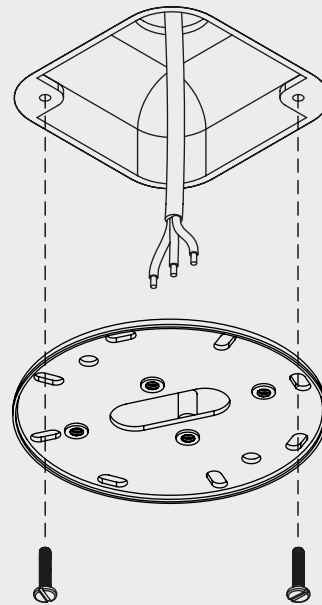
Note:

Ensure that the weight of the fitting is fully supported during the electrical installation.



110V

1. Fix the mounting plate to the junction box using suitable screws (not supplied).

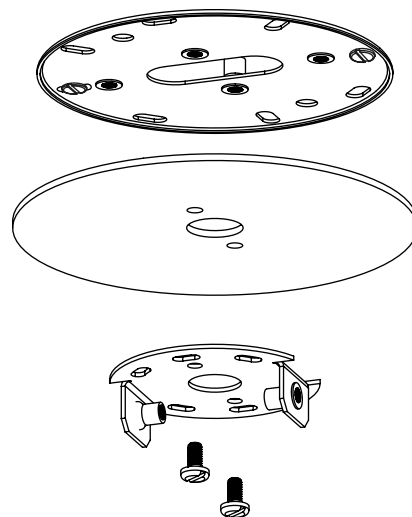


2. 1. Securely fix the mounting plate to the ceiling using 2 x screws suitable for the surface you are mounting to (not supplied).

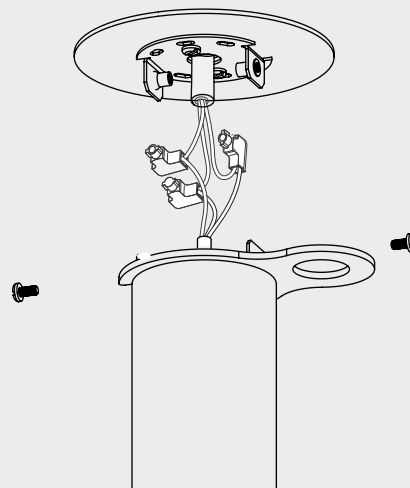
Ensure that the mains cable is centred with the hole in the middle of the plate.

Note:

Ensure that the weight of the fitting is fully supported during the electrical installation.



3. Make wiring connections, making sure they fit back inside the tube of the light fitting.



240V

1. Connect fitting to mains input, ensuring all wires are colour matched and the wall light is earthed correctly.

NOTE FOR G9 IP44:

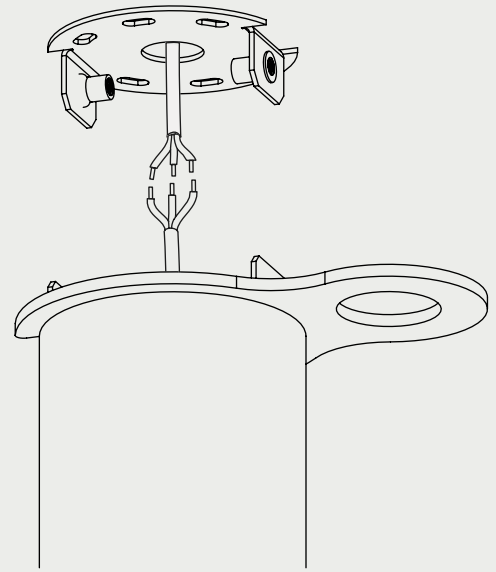
Ensure you are using suitable IP44 connectors (not included). Installation must be performed by a qualified person.

Any terminal blocks recommended must conform to IEC 60998-2-1 or IEC 60998-2-2

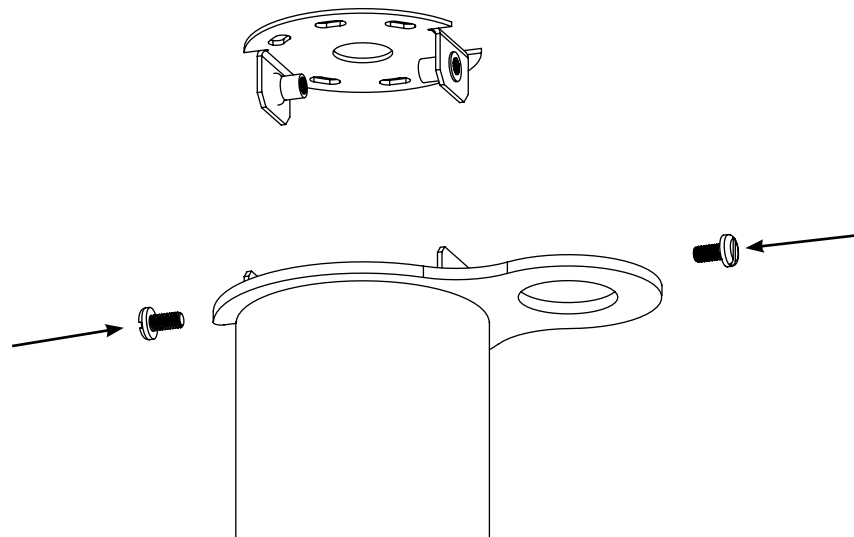
Terminal block - Specification
 Type - Screw / screw less - IP44
 No of terminals - 3
 Rated voltage - 240v
 Rated connecting capacity - AWG 24-12

NOTE FOR GU10 IP20:

Terminal blocks recommended must conform to IEC 60998-2-1 or IEC 60998-2-2
 Terminal block - Specification
 Type - Screw / screw less - IP20
 No of terminals - 3
 Rated voltage - 240v - 110V
 Rated connecting capacity - AWG 24-12



2. Once the connection has been made, raise the fixture up towards the mounting plate, and re-install the two M4 bolts that were removed earlier.



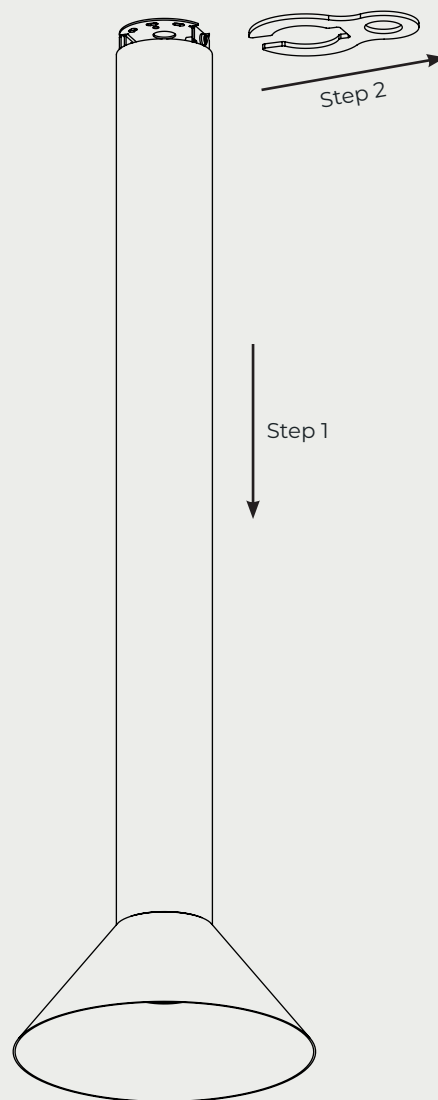
240V & 110V

3. Install the flush mounted light to the ceiling requires three steps.

Step 1: Pull down gently on the body of the light.

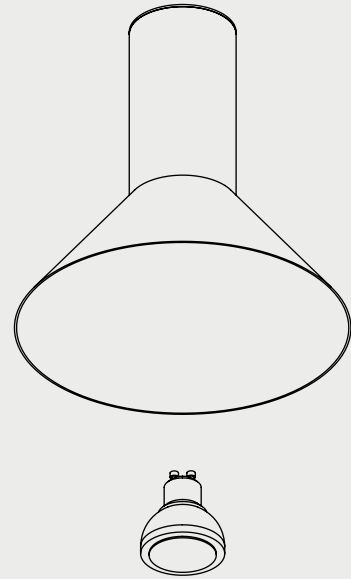
Step 2: Whilst holding the light down, release the tag at the top of the light.

Step 3: Allow the light fitting to pull itself up flush to the ceiling. Make sure all cables are safely inside the fitting.

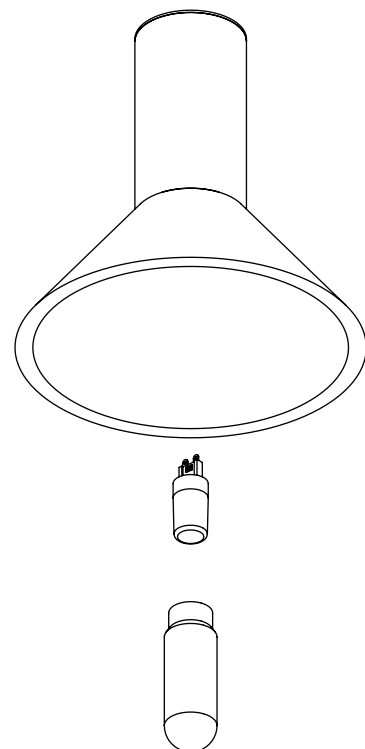


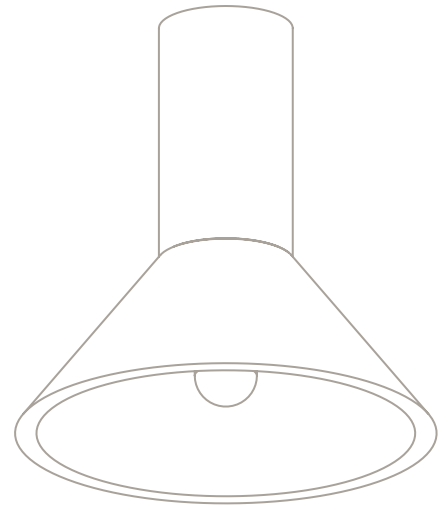
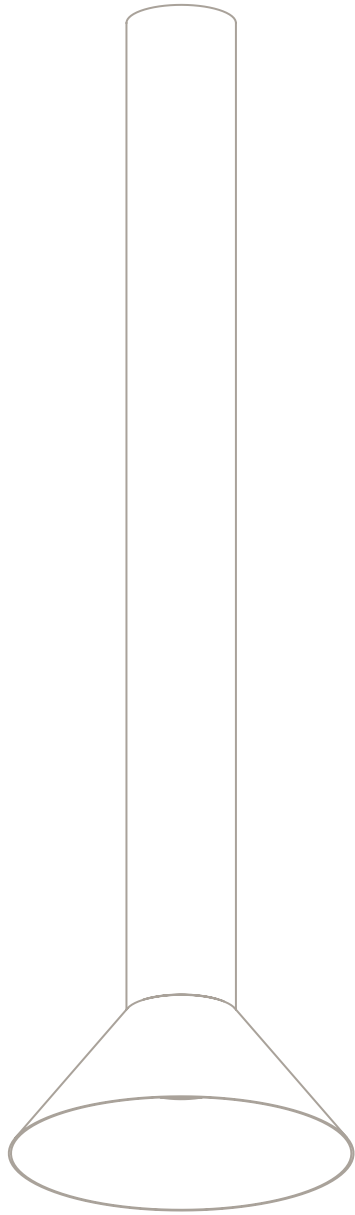
240V

3. GU10: Insert LED GU10.



4. G9 IP44: Remove the glass cover by unscrewing it. Insert bulb G9 LED bulb. Thread the glass cover back onto the G9 lamp holder. Make sure its not over tightened but tight enough it makes good contact with the gasket inside of the cone shade.





MAINTENANCE

Cleaning

Dust using a dry lint-free cloth weekly or as required

Repairs

Contact
CTO Lighting

Warranty

Please visit
[www.ctolighting.co.uk/
pages/f-a-q](http://www.ctolighting.co.uk/pages/f-a-q)
for CTO warranty policy

Certification

